



BlueMesh's 1-Button Bluetooth mesh wall switch (BMWS-M-D-1BT-BLE-SR) wirelessly communicates with other Bluetooth mesh network devices to provide scene and light level control to lighting in the space. It can be installed in a standard 1-gang wall box. Typical applications include public restrooms, private offices, classrooms, conference rooms, storage spaces, and break rooms.

OVERVIEW

- Bluetooth® SIG mesh
- Manual on/off (wireless)
- Dim up/down (wireless)
- Conforms with DLC NLC5
- Cybersecurity Standards
- LED status indicator light
- Mounts in any standard wall box
- Available in all the standard colors

OPERATION

BlueMesh® Controls: Qualified by Bluetooth SIG for its Bluetooth Mesh 1.0.1 specification, the wall controller connects to a Bluetooth mesh network and is accessed via the BlueMesh web portal or mobile app for initial design, setup and scheduling, as well as subsequent parameter adjustments. End users can then program length of time delays, fade time, and other settings using these design and commissioning tools.

The BMWS-M-D-1BT-BLE-SR controls all of the lights in a specific zone. The unit also functions as a dimmer to override the pre-configured occupancy sensor settings.

See the BlueMesh® Commissioning User Manual for more information.

TECHNICAL DATA

Input Power	120-277 VAC 50/60Hz I Max 1.5W
Mounting	Standard wall box
Max Bluetooth Range ¹	30ft (9.14m)
Operating temperature	0° to 55°C
Storage Temperature	-10° to 60°C
Relative Humidity	90-95% non-condensing at 30°C
Color	White
Warranty	5 years

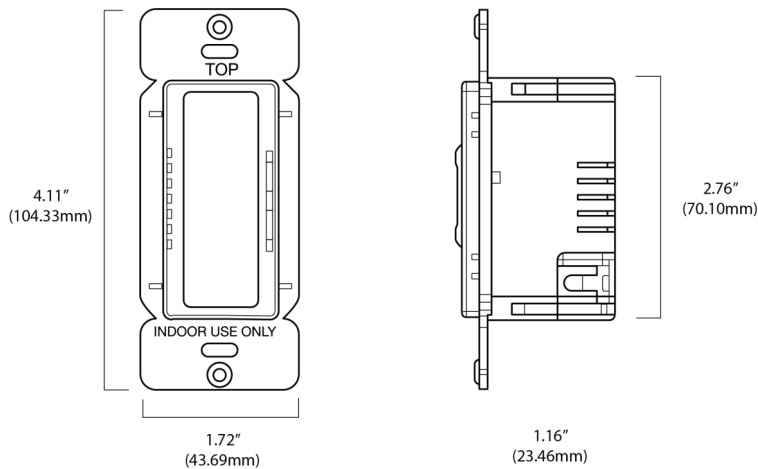
Note:

1. Bluetooth Range is highly dependent on the integration of fixtures, surrounding environment and conditions. It is recommended to conduct testing for range accuracy.

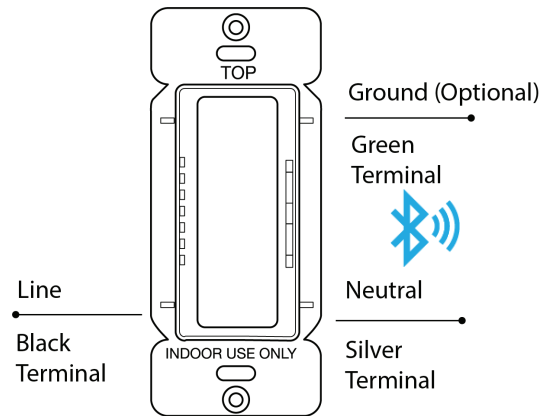
ORDERING INFORMATION

Model No.	Description	Input Voltage
BMWS-M-D-1BT-BLE-SR	Wireless 1-Button Dimmer Wall Switch, BlueMesh SIG Bluetooth Mesh, (decorator faceplate not included)	120-277V 50/60Hz
<p>Add Suffix for options:</p> <p>WH - White IV - Ivory LA - White GY - Gray BK - Black RD - Red</p> <p>* White color is standard. Optional and Custom colors will ask for additional charge.</p>		

PHYSICAL DIMENSIONS

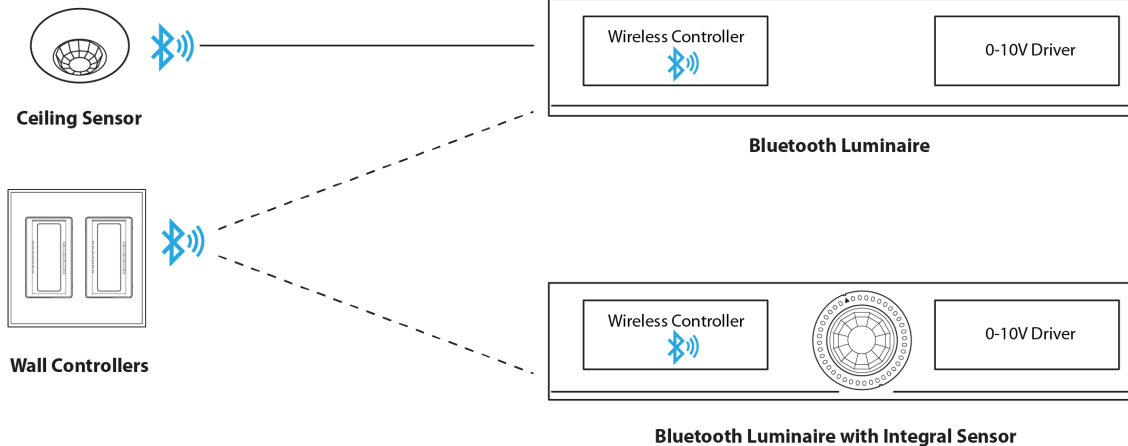


WIRING DIAGRAM



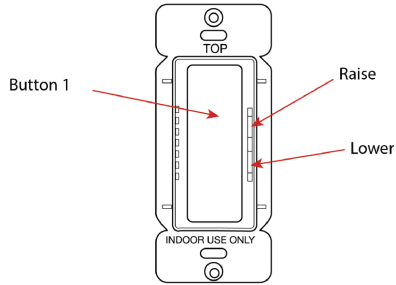
* Switched Hot to Load is not required. Switching is done at the power pack or in-fixture load controller.

EXAMPLES



m ipsum

WIRELESS MANUAL CONTROL



Button 1 for On/Off:

Short press - OFF

Short press - AUTO/ON

Auto = Resume automatic control; turns on the automatic settings for luminaires (defined by the settings profile).

For dimming:

Raise Toggle

Lower Toggle

Factory reset:

Press and hold Button 1 together with side toggle at top and bottom for 10 sec. The device returns to an commissioned state.

Ref#: 20240621

WARRANTY

Five year limited warranty.

Specifications subject to change without notice.